

# SMALL LED STREETLIGHT

**PHILIPS**  
LUMILEDS

Flusso luminoso della lampada: 100-105 LM/W



## SPECIFICHE

Parametri Elettrici	Voltaggio	AC85-265	Power Factor	> 0.90
	Tipo LED	Philips Lumileds	Flusso luminoso del LED	---
			Flusso luminoso della lampada	100-105LM/W
	Durata	50.000 ore	CCT	2700-6500K
	Protezione IP	IP65	Temperatura di funzionamento	-40°C +60°C
	Angolo di emissione	X-135° Y-65°		

Modello	Potenza	Quantità LED	Flusso luminoso	Dimensione mm	Peso netto Kg	Prezzo Driver SunSeed	Prezzo Driver MeanWell
SGA3-30	30W	40PCS	3200-3400LM	307*124*99	2	€ 194,04	n.d
SGA3-40	40W	40PCS	4000-4200LM	307*124*99	2,1	€ 201,74	n.d

Prezzi IVA esclusa

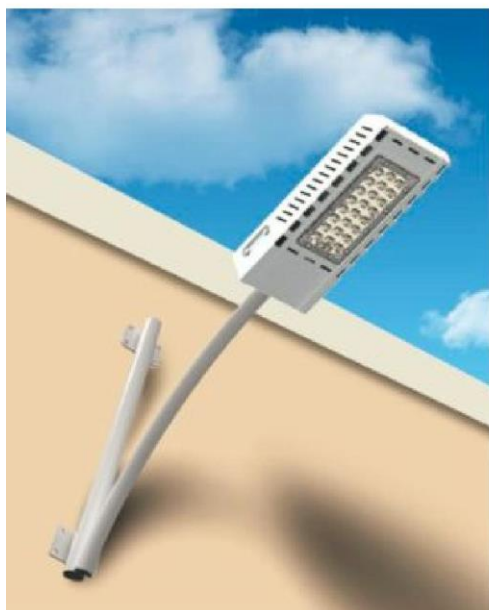
FOTO



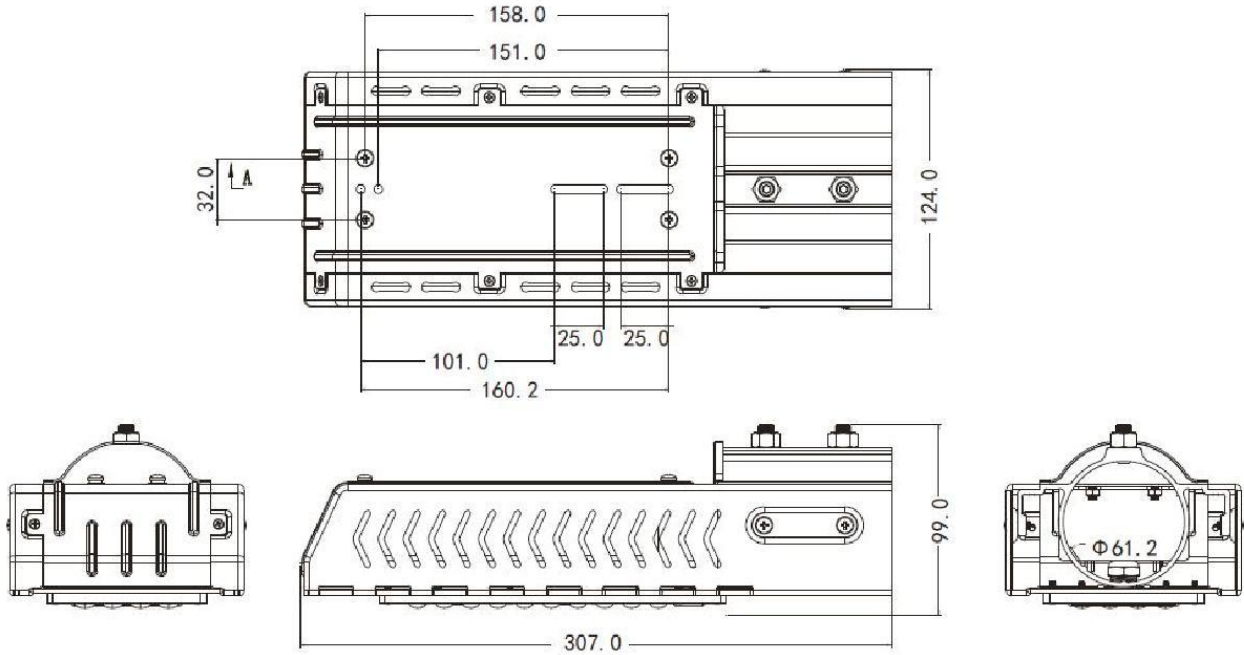
### 3D Heat Dissipation

Support dissipation up to 50W

Simple Module, technical heat dissipation structure, ventilated air flue, achieve heat dissipation up to 50W, the most competitive price for your choice



**DIMENSIONI**



**Whole lamp Stainless 304 Screw**

**High-Lumen LED, Lamp Luminous Flux**



**IP67 waterproof connector**

**Whole aluminum lamp body**



**Applicable to standard lamppost**



**Lens transmittance reached 92%**

**6cm**